



Accessories for ECHO products can be found at:
Los accesorios para los productos ECHO se pueden encontrar en:
<http://www.echo-usa.com/Products/Accessories>



PARTS CATALOG
LISTA DE PIEZAS

RB-85 Spreader
RB-85 Esparcidor



SERIAL NUMBER
NÚMERO DE SERIE

N30700001001 - N30700999999

ECHO Incorporated

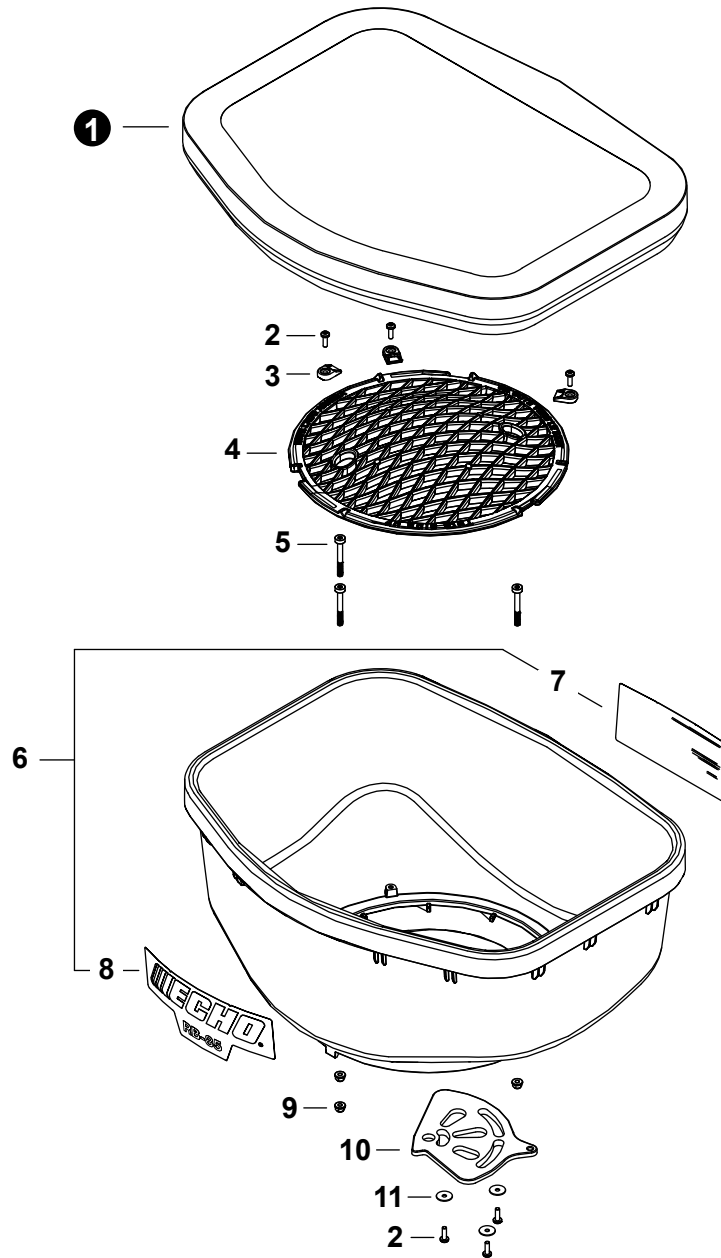
400 Oakwood Road, Lake Zurich, Illinois 60047

WWW.ECHO-USA.COM

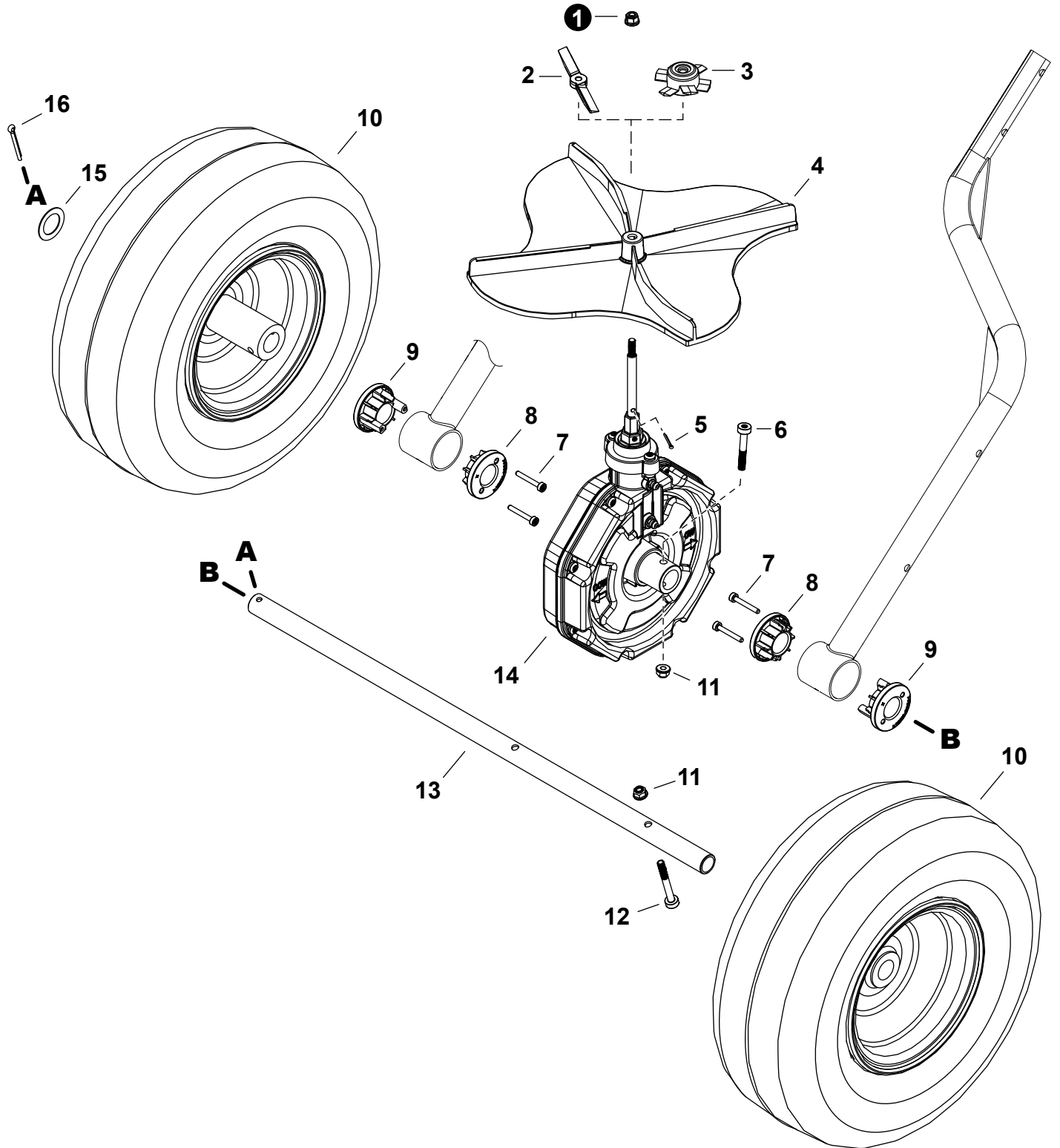
©2022 ECHO Incorporated. All Rights Reserved

P/N 99922205867
REVISED 03/24/22

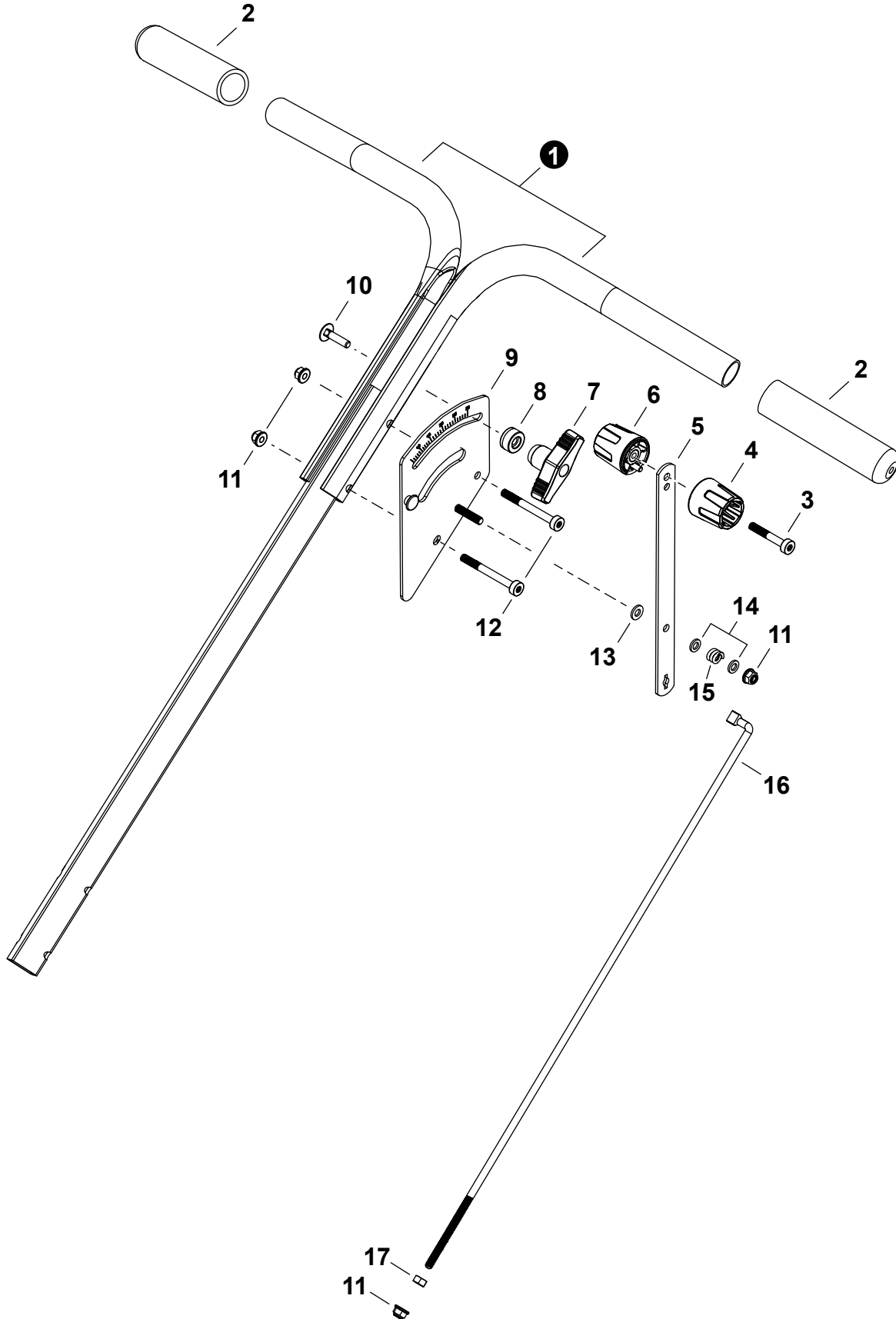
| | |
|---------------------------------|----------|
| Hopper | 3 |
| Tolva | |
| Gear case - Wheels | 4 |
| Caja de Engranajes - Ruedas | |
| Gear case - Wheels | 5 |
| Caja de Engranajes - Ruedas | |
| Frame - Upper | 6 |
| Armazón - Superior | |
| Frame - Upper | 7 |
| Armazón - Superior | |
| Frame - Lower | 8 |
| Armazón - Inferior | |
| Frame - Lower | 9 |
| Armazón - Inferior | |



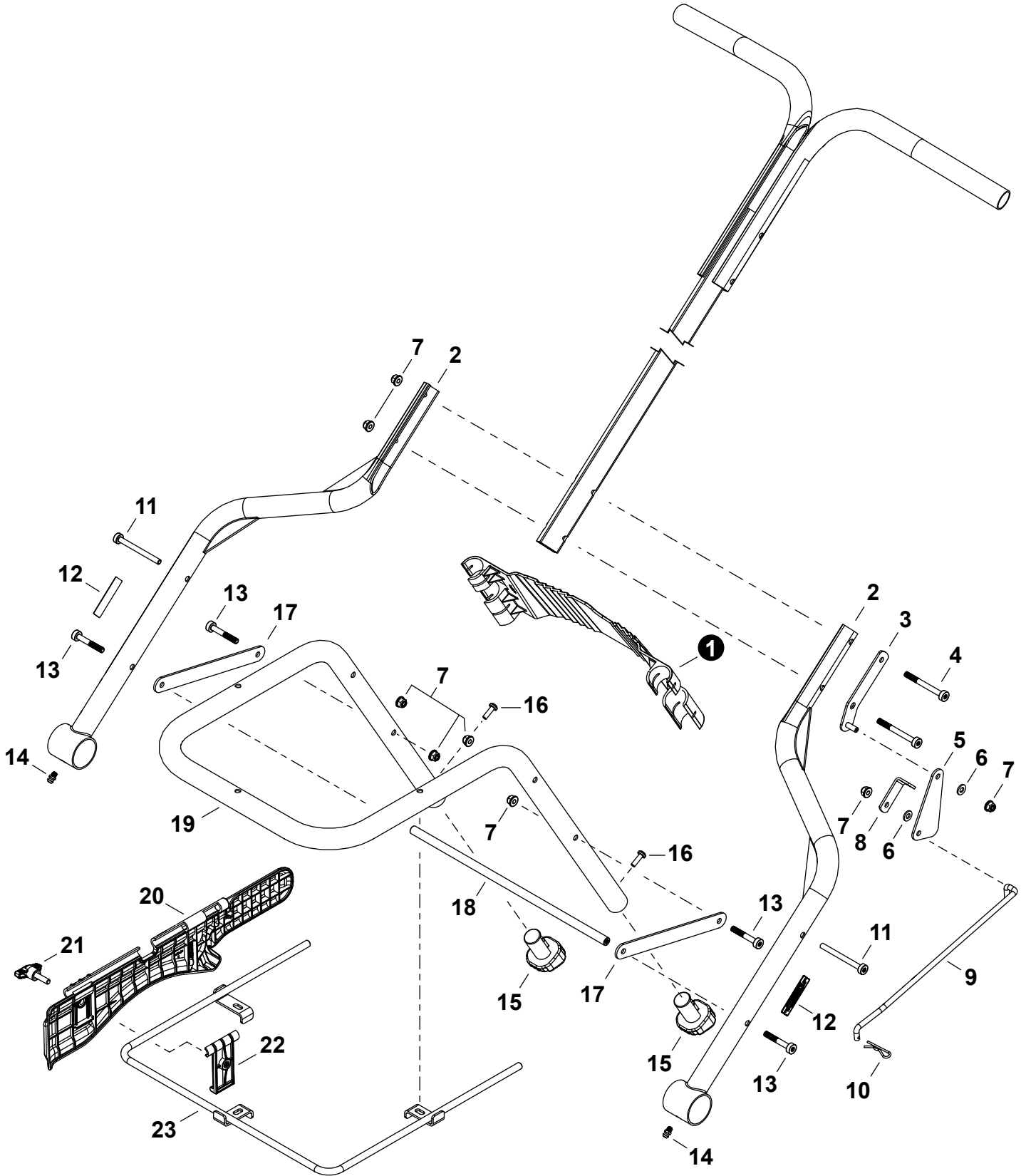
| NO. | PART NUMBER | QTY. | DESCRIPTION | DESCRIPCIÓN |
|-----|-------------------|------|--------------------|-------------------------|
| 1 | G401000020 | 1 | COVER, HOPPER | TAPA DE TOLVA |
| 2 | V805000000 | 6 | BOLT, TORX 5x16 | PERNO TORX 5x16 |
| 3 | V491000610 | 3 | CLIPS, SCREEN | GANCHOS DE PANTALLA |
| 4 | K331000090 | 1 | SCREEN, HOPPER | PANTALLA, TOLVA |
| 5 | V204001860 | 3 | BOLT, M6 X 50MM | PERNO M6 X 50MM |
| 6 | G400000110 | 1 | HOPPER ASSY | MONTAJE DE TOLVA |
| 7 | X532006010 | 1 | +LABEL - OPERATION | +ETIQUETA - OPERACIÓN |
| 8 | X547003820 | 1 | +LABEL - RB-85 | +ETIQUETA RB-85 |
| 9 | 9210806000 | 3 | NUT, FLANGE M6 | TUERCA-BRIDA M6 |
| 10 | C627000210 | 1 | PLATE, REGULATOR | PLACA DE REGULADOR |
| 11 | V303000391 | 3 | WASHER 5 | ARANDELA 5 |



| NO. | PART NUMBER | QTY. | DESCRIPTION | DESCRIPCIÓN |
|-----|-------------|------|-------------------|-------------------------------|
| 1 | V264000540 | 1 | NUT M6 | TUERCA M6 |
| 2 | E156000020 | 1 | AGITATOR | AGITADOR |
| 3 | E156000030 | 1 | AGITATOR - SALT | AGITADOR DE SAL |
| 4 | C627000200 | 1 | PLATE, SPREADER | PLACA DE ESPARCIDOR |
| 5 | A605000020 | 1 | PIN - COTTER | PASADOR DE CHAVETA |
| 6 | V204001850 | 1 | BOLT 6x40 | PERNO 6x40 |
| 7 | V202000860 | 4 | BOLT 4 | PERNO 4 |
| 8 | C546000170 | 2 | BUSHING, AXLE | BUJE, EJE |
| 9 | C546000180 | 2 | BUSHING, AXLE (B) | BUJE, EJE (B) |
| 10 | C730000150 | 2 | WHEEL | RUEDA |
| 11 | 9210806000 | 2 | NUT, FLANGE M6 | TUERCA-BRIDA M6 |
| 12 | V204001860 | 1 | BOLT, M6 X 50MM | PERNO M6 X 50MM |
| 13 | C710000130 | 1 | AXLE | EJE |
| 14 | P021054240 | 1 | GEAR CASE ASSY | MONTAJE DE CAJA DE ENGRANAJES |
| 15 | V340000640 | 1 | WASHER | ARANDELA |
| 16 | V640001070 | 1 | PIN - COTTER | PASADOR DE CHAVETA |



| NO. | PART NUMBER | QTY. | DESCRIPTION | DESCRIPCIÓN |
|-----|-------------|------|-------------------------|----------------------------------|
| 1 | C701001330 | 1 | HANDLE | MANGO |
| 2 | C403000930 | 2 | GRIP, HANDLE | AGARRE |
| 3 | V204001850 | 1 | BOLT 6x40 | PERNO 6x40 |
| 4 | C662000070 | 1 | KNOB, REGULATOR - LEFT | PERILLA DE REGULADOR - IZQUIERDA |
| 5 | A253000200 | 1 | LEVER, REGULATOR | PALANCA DE REGULADOR |
| 6 | C662000080 | 1 | KNOB, REGULATOR - RIGHT | PERILLA DE REGULADOR - DERECHO |
| 7 | V299000660 | 1 | THUMBSCREW | TORNILLO DE OREJETAS |
| 8 | V376002900 | 1 | SPACER | ESPACIADOR |
| 9 | A250000620 | 1 | BRACKET, REGULATOR | SOPORTE, REGULADOR |
| 10 | V204001950 | 1 | BOLT M6 x 26MM | PERNO M6 x 26MM |
| 11 | 9210806000 | 4 | NUT, FLANGE M6 | TUERCA-BRIDA M6 |
| 12 | V204001870 | 2 | BOLT, M6 X 60MM | PERNO M6 X 60MM |
| 13 | V345000070 | 1 | WASHER | ARANDELA |
| 14 | V304000590 | 2 | WASHER 6 | ARANDELA 6 |
| 15 | V450002480 | 1 | SPRING, COMPRESSION | RESORTE DE COMPRESIÓN |
| 16 | C567000390 | 1 | ROD, REGULATOR | VARILLA, REGULADOR |
| 17 | 90050000006 | 1 | NUT, HEX M6 | TUERCA HEXAGONAL 6M |



| NO. | PART NUMBER | QTY. | DESCRIPTION | DESCRIPCIÓN |
|-----|-------------|------|--------------------|-------------------------|
| 1 | A422000500 | 1 | DEFLECTOR - REAR | DEFLECTOR - TRASERO |
| 2 | C600001950 | 2 | FRAME, AXLE | ARMAZÓN DE EJE |
| 3 | C803000240 | 1 | BRACKET, FRAME | SOPORTE DE ARMAZÓN |
| 4 | V204001870 | 2 | BOLT, M6 X 60MM | PERNO M6 X 60MM |
| 5 | V150004980 | 1 | PLATE, EYE | PLACA |
| 6 | V345000070 | 2 | WASHER | ARANDELA |
| 7 | 9210806000 | 8 | NUT, FLANGE M6 | TUERCA-BRIDA M6 |
| 8 | C569000060 | 1 | BRACKET, ROD | SOPORTE DE VARILLA |
| 9 | C567000400 | 1 | SHAFT, REGULATOR | EJE DE REGULADOR |
| 10 | A605000030 | 1 | PIN, HITCH | PASADOR DE ENGANCHE |
| 11 | V204001960 | 2 | BOLT, M6 X 65MM | PERNO M6 X 65MM |
| 12 | X505011090 | 2 | LABEL - CAUTION | ETIQUETA DE PRECAUCIÓN |
| 13 | V204001850 | 4 | BOLT 6x40 | PERNO 6x40 |
| 14 | 88011054230 | 2 | FITTING, GREASE | ENGRASADOR |
| 15 | V494001270 | 2 | CAP, LEG | TAPA DE PATA |
| 16 | V805000000 | 2 | BOLT, TORX 5x16 | PERNO TORX 5x16 |
| 17 | C602000060 | 2 | BRACE, FRAME | ABRAZADERA ARMAZÓN |
| 18 | C602000070 | 1 | BRACE, FRAME | ABRAZADERA ARMAZÓN |
| 19 | C600001960 | 1 | FRAME, HOPPER | ARMAZÓN DE TOLVA |
| 20 | A179000070 | 1 | DEFLECTOR - RIGHT | DEFLECTOR - DERECHO |
| 21 | V299000690 | 1 | THUMBSCREW | TORNILLO DE OREJETAS |
| 22 | C551000240 | 1 | CLAMP, DEFLECTOR | ABRAZADERA DE DEFLECTOR |
| 23 | C455000000 | 1 | BRACKET, DEFLECTOR | SOPORTE DE DEFLECTOR |