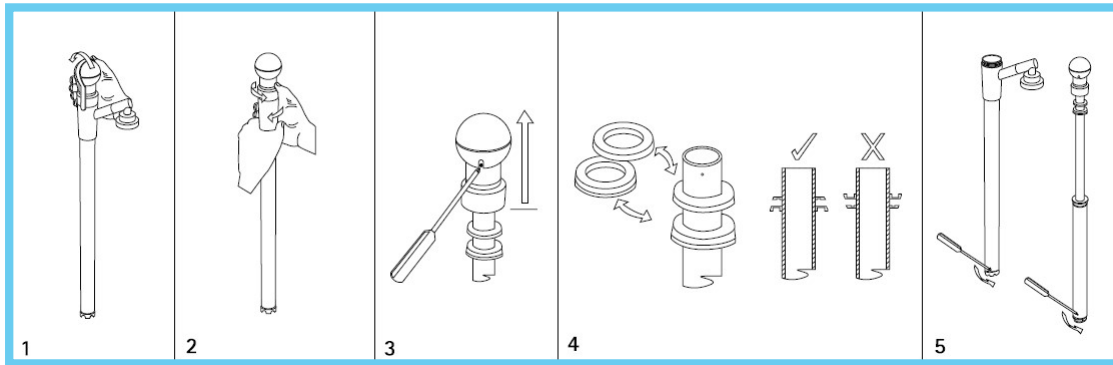


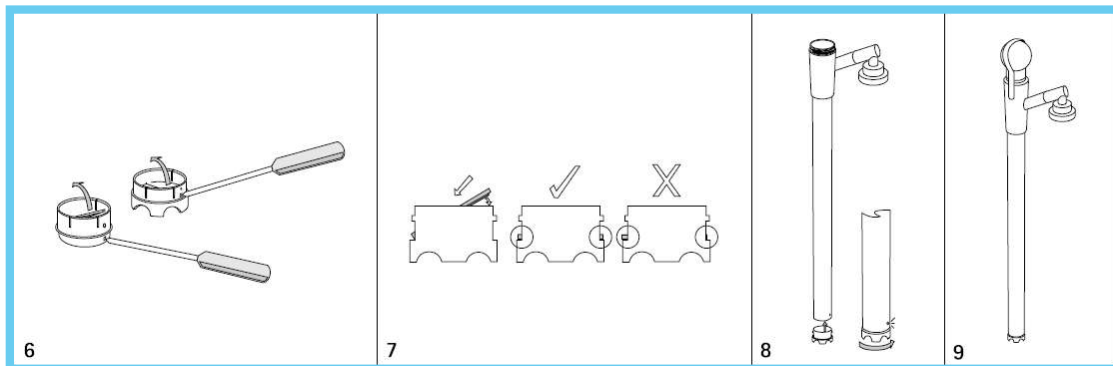
Ezi-action Drumpumps are the only fully serviceable hand pump in the world. This assures longevity and excellent value. Some chemicals can be harsher on the low density polyethylene (LDPE) plastic components of Ezi-action® Drumpumps.

Should liquid be visible around the thread joint replace the seals. Ask for Ezi-action® Seal Pack (Refer Steps 1-4)



Should the Drumpump fail to pump replace the valve flaps. Ask for Ezi-action® Service Kit (Refer Steps 5-9)

Note: To minimise damage to the lugs of the foot valve holder (step 5) a pair of 200mm long nose pliers with 3mm flat on the fine end of the jaws can be used.



Ezi-action® Seal Pack

Contents:

- 1x LDPE washer seal
- 1x LDPE scraper seal
- Easy to follow diagrammatic instructions

Ezi-action® Service Pack

Contents:

- 1x LDPE washer seal
- 1x LDPE scraper seal
- 1x LDPE Foot Valve
- 1x LDPE Plunger Flap Valve
- Easy to follow diagrammatic instructions

