



MOVING WATER FORWARD, SINCE 1968

CW4 WI-FI CONTROLLER

For RGBW
WaterGlow Lighting

Operation Manual

Document number 884111
Document version 2023.1.0

800 Deere Rd. Prescott, WI 54021 | 715.262.4488 | sales@kascomarine.com | kascomarine.com

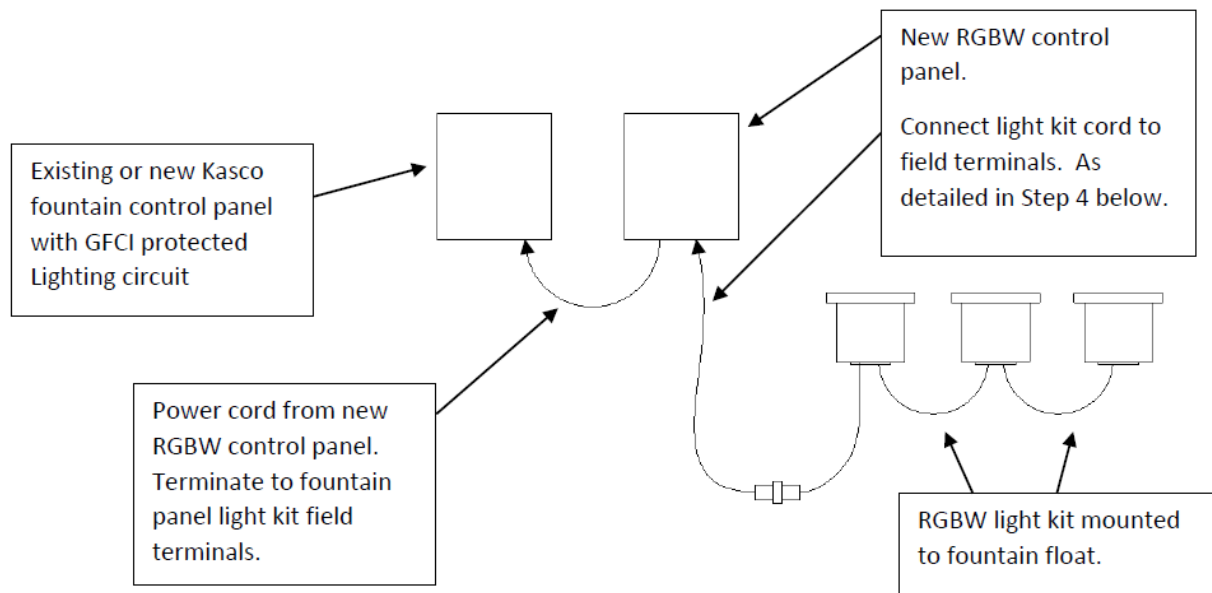
WIRING INSTRUCTIONS

1. Wiring the RGBW control panel to fountain control panel (refer to the RGBW control panel instructions for panel mounting and installation requirements). Connect the RGBW panel power cord to the Kasco Fountain control panel. The RGBW panel has flying leads to connect to the fountain panel terminal blocks used to connect a standard light kit.

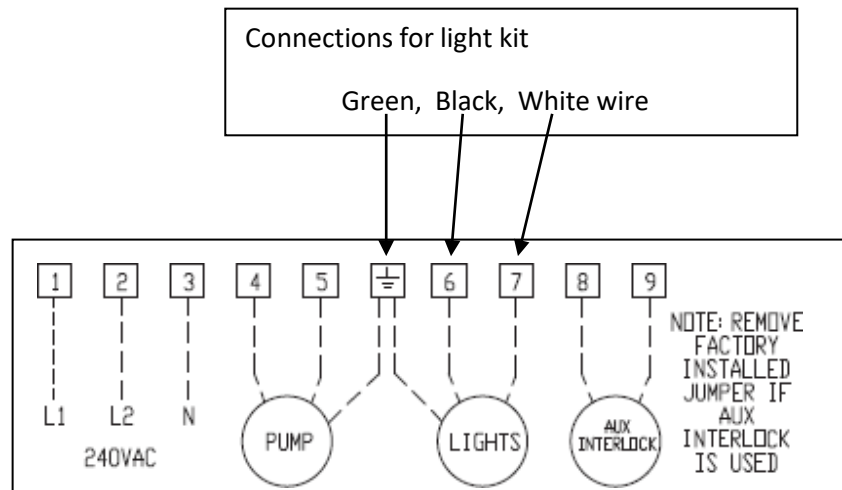
- C-85 and C-95 fountain control panels: Connect to terminal #'s. 6, 7, & Ground
- Green lead to Ground, Black lead to #6, & white lead to #7
- 3 phase CF fountain control panels connect to terminal #'s. 3, 4, & Ground lug
- Green to Gnd lug (ground lug), Black lead to #3, & white lead to #4

Refer to Fountain control panel instructions and schematics for detailed operation and connections.

Block Diagram of Light Kit and Control Panels

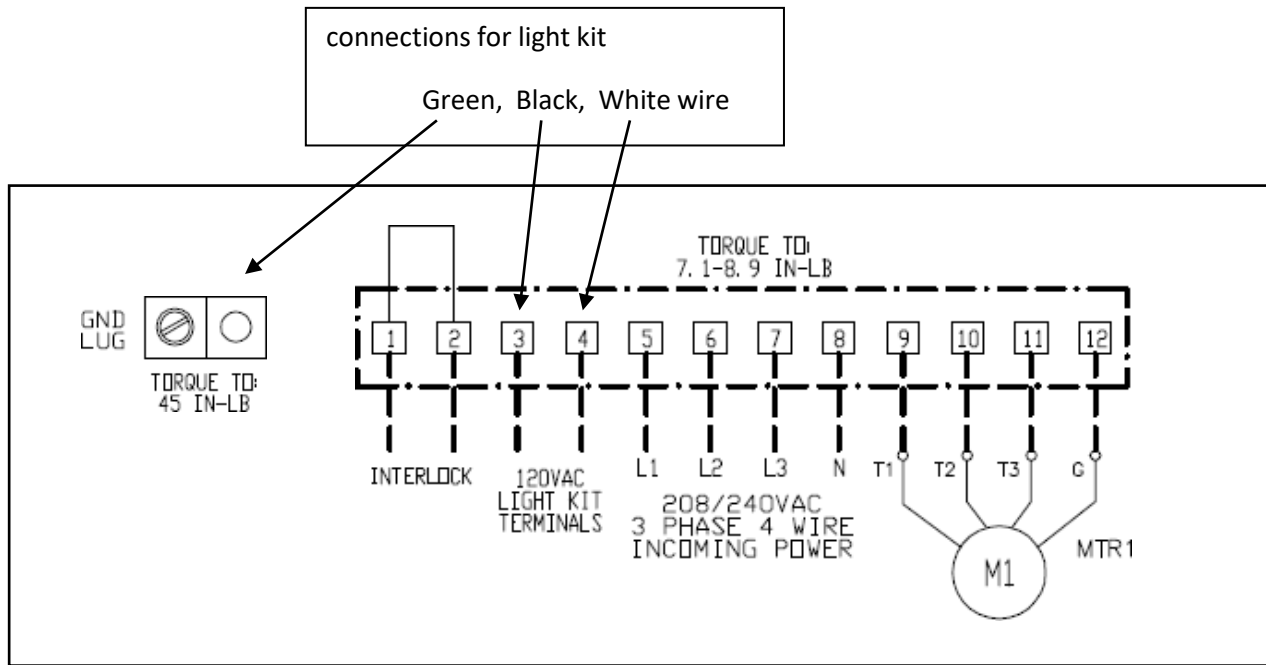


C-85 & C-95 Fountain Control Panel Field Terminal Connections



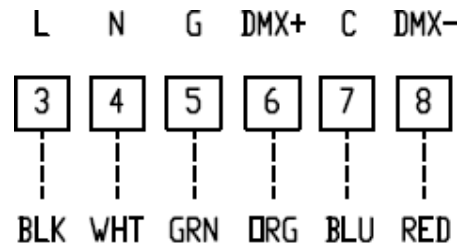
WIRING INSTRUCTIONS (CONT.)

3-Phase Fountain Control Panel Field Terminal Connections



2. Wiring RGBW light kit to RGBW control panel.

- With power disconnected to the RGBW control panel, connect the light kit cord to the RGBW control panel wire terminals
- Terminal #3 to Black wire (line)
- Terminal #4 to white wire (neutral)
- Terminal #5 to Green wire (ground)
- Terminal #6 to Orange wire (DMX+)
- Terminal #7 to Blue wire (DMX common)
- Terminal #8 to Red wire (DMX-)



Field connection Terminals in RGBW control panel.

Connect the Light kit cord connections to these terminals.

3. Energizing the RGBW control panel

- With all wiring connections made, light kit installed on the fountain, and fountain in the water, it is time to energize the control panels. Energize the fountain panel and set the fountain and light timers to ON. This will start the fountain and energize the RGBW control panel.
- With the RGBW panel now energized you can follow instructions in Step 6 below to control the lights with the RGBW controller.
- NOTE: The RGBW control panel must be powered by a GFCI protected 120Vac 60hz circuit. Kasco fountain control panels provide this GFCI protected circuit as part of their light kit control circuit. Refer to your fountain owner's manual for setting the timers and installation of fountain control panels.

CW4 CONTROLLER OPERATION

RGBW DMX Controller operation

- The CW4 touch DMX controller allows the user to select from 36 preconfigured scenes. These scenes are listed in the table below and are grouped into 6 scene banks.
- The CW4 controller also allows for custom color selection with the color wheel.
- Other features include brightness control and saturation level (more or less white color added)
- The CW4 also has the ability to connect your cell phone wirelessly via built in WiFi network.
- Use the steps below to operate the CW4 controller and to setup your phone for wireless control if desired.
- For additional controller info and setup, refer to the CW4 operation and technical datasheet provided with this control panel.


CW4 Controller Scenes

36 scenes are programmed into the CW4 controller. The scenes are in 6 scene banks.

1-1	White (RGBW)	4-1	7 color quick fade (RGBYCMO)
1-2	Red	4-2	7 color slow fade (RGBYCMO)
1-3	Green	4-3	12 color quick fade
1-4	Blue	4-4	12 color slow fade
1-5	Cyan	4-5	RGB quick jump
1-6	Magenta	4-6	RGB slow jump
2-1	Yellow	5-1	CMY quick jump
2-2	White (only white)	5-2	CMY slow jump
2-3	Orange	5-3	7 color quick jump (RGBYCMO)
2-4	Teal	5-4	7 color slow jump (RGBYCMO)
2-5	Lime	5-5	Christmas (fades between Red and Green)
2-6	Pink	5-6	Breast Cancer awareness (fades between pink and Magenta)
3-1	RGB quick fade (cycles Red - Green - Blue)	6-1	4th of July jump (jump between Red - White - Blue)
3-2	RGB slow fade (cycles Red - Green - Blue)	6-2	4th of July fade (fade between Red - White- Blue)
3-3	RGBW quick fade (Red - Green - Blue - White)	6-3	Valentine's day (Red and Pink fade)
3-4	RGBW slow fade (Red - Green - Blue - White)	6-4	Flame 1 (orange & yellows dancing around) *
3-5	CMY quick fade (Cyan - Magenta - Yellow)	6-5	Rainbow (a rainbow of colors fading between the fixtures) *
3-6	CMY slow fade (Cyan - Magenta - Yellow)	6-6	Swirl (multiple colors swirling around the fixtures) *

* Must set each fixture to different starting address OF: 1, 5, 9 for full effect

CW4 TOUCH-SCREEN CONTROLLER



The diagram shows a touch-screen controller interface with the following components and callouts:

- Power button:** Located at the top center, it turns the controller on and off.
- Buttons 1-6:** A row of six numbered buttons (1-6) below the power button. Pressing these changes to the preprogrammed scene. An indicator light below the button shows the active scene.
- Color wheel:** A circular color wheel in the center of the screen. Touching it changes the light output. Double tapping a scene button returns the controller to a programmed scene. Double tapping a scene button returns from color wheel operation.
- Dimmer buttons:** Two sun-like icons below the color wheel. They dim the light output from 1 to 6. Indicator lights under the scene buttons indicate the dimming level.
- Saturation buttons:** Two circular arrows below the color wheel. The normal value is 6. Lowering the saturation will "bleach out" the color. The lowest saturation setting will result in white light output. Indicator lights under the scene buttons indicate the saturation level.
- Center button:** A small square button in the center of the color wheel. Pressing it allows you to change the scene bank 1-6. Continuing to repress the center button changes the indicator lights for buttons 1-6. While flashing, press the button for the bank you want; then immediately press the number of the scene you want. If the light stops blinking before selecting a scene, it will revert to the last active bank, and you will need to start over.

ARCOLIS APP CONTROL OF CW4 CONTROLLER

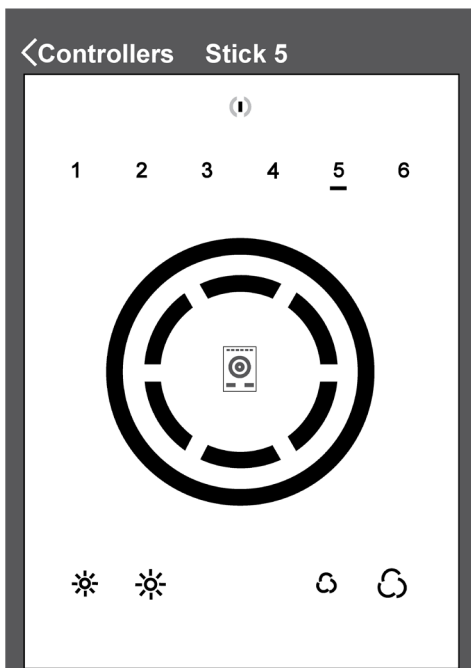
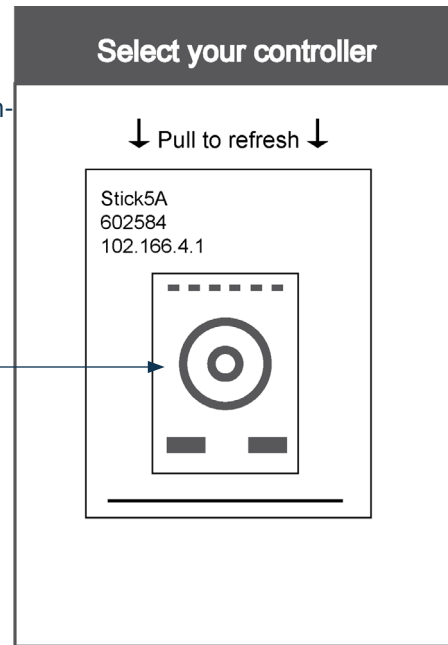
This app replicates the CW4 control panel. It functions the same as the CW4 control panel.

The Arcolis app is available for download in your app store

Perform the following steps to use Arcolis remote control app with the CW4 controller

1. Download and Install the Arcolis app from your app store. The app is available for both Android & iPhone.
2. Ensure the app is closed on your phone
3. Turn on the CW4 controller panel
4. On your phone/tablet go to WiFi settings
 - Find the network: "KascoCW-4" + [your serial number]
 - Connect to it and use Password 00000000 (8 zeros)
5. Once connected, go to the Arcolis app and choose the CW4 controller. When you open the app, this screen will appear:
6. If the controller does not appear on the app. Swipe down to refresh the screen or close the app and re-open.
7. Press on the Stick5A image to go to the control screen.

Press here to choose this controller.
If other controllers were on a LAN network, there would be additional choices.



8. The following screen will appear.
 - Use this interface to control the CW4 just as you would from the controller.
 - This screen replicates the operation of the controller's button panel. Go to the Arcolis app and choose the CW4 controller. When you open the app, this screen will appear: